

# BAYLAN

## WATER METERS

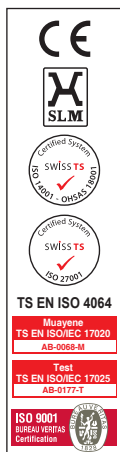
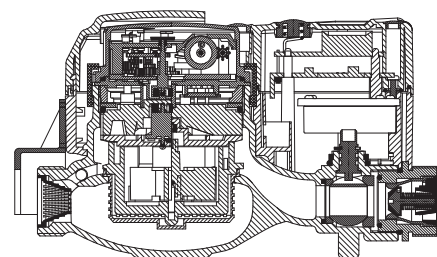
# AK-311

## Remote Reading And Prepaid Water Meters



### GENERAL

- MID Certified
- Radio Frequency automatic remote reading
- Reading through the center of the GPRS system, the collector of conformity
- Complete management of the water consumption
- Elimination of meter reading process
- No meter dismantling because of the debts
- Contactless card usage ensures isolation against external affects
- Setting up different tariffs • Suitable for potable water
- IP68 protected electronic circuit and mechanical meter
- Check valve disabling bi-directional water flow
- Sleeve security check and electronic sensor
- Lithium battery replaced by local administration
- LCD display with back light
- Suitable for cold water up to 50°C
- All spare parts available, wide range of service network
- Leakage control system, 3 years of warranty

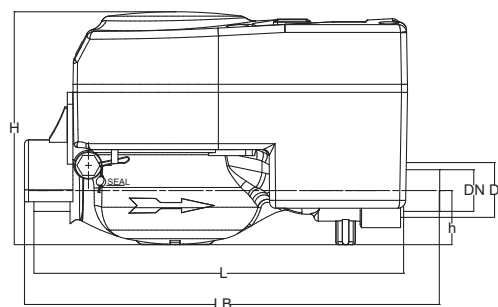
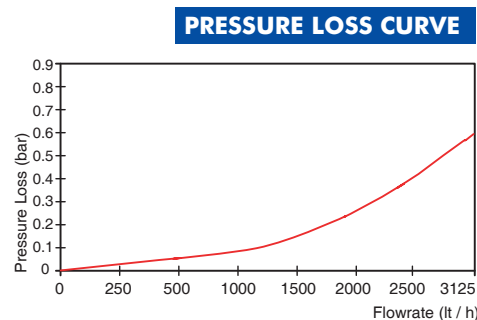
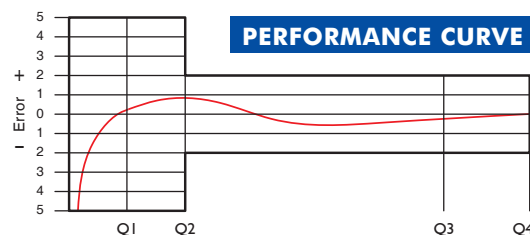


### PERFORMANCE DATA

Overload Flowrate	Q4	m <sup>3</sup> /h	3.125	3.125	5	5	5
Permanent Flowrate	Q3	m <sup>3</sup> /h	2.5	2.5	4	4	4
Transitional Flowrate	Q2	m <sup>3</sup> /h	0.04	0.025	0.064	0.040	0.032
Minimum Flowrate	Q1	m <sup>3</sup> /h	0.025	0.0156	0.040	0.025	0.020
Q3/Q1 (MI-001 OIML R49)	-		100	160	100	160	200
Initial Flow	Qi	l/h	7				
Maximum Working Pressure		bar	16				
Maximum Working Temperature		°C	50				
Pressure Loss		bar	0.6				
Maximum Registration Capacity		m <sup>3</sup>	99999				
Smallest Reading Resolution		m <sup>3</sup>	0.00005				
Mounting on the network			Horizontal				
Quantity per package			5				
Package dimensions		cm	16x54.5x23				

### DIMENSIONS

Nominal diameter	DN	15	15	20	mm
Connecting diameter	D	G 3/4	G 3/4	G 1	B
Total overall meter height	H	118	118	118	mm
Axis height	h	27	27	27,5	mm
Length	L	190	165	190	mm
Width	B	100	100	100	mm
Length with connections	LB	270	245	270	mm
LCD Screen Length		64x20	64x20	64x20	mm
LCD Screen Angle		30°	30°	30°	mm
Unit weight		1.88	1.85	1.79	kg
Package Weight (without connections)		10.23	10.20	9.68	kg
Package Weight (with connections)		10.83	10.80	10.58	kg



"Due to continuous development of our products, we reserve the right to modify our product design or construction without prior notice."