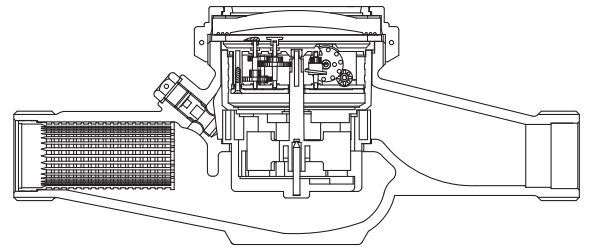


BAYLAN

WATER METERS

TK-3S

Multi jet Dry type Water Meter (Hot Water)



GENERAL

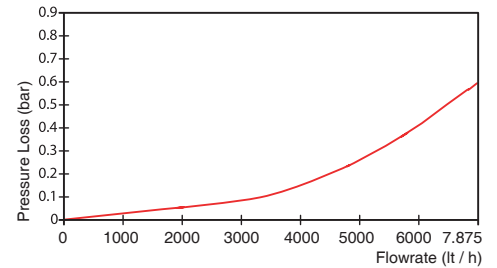
- MID Certified
- Multi jet working principle assures a long service time
- Low pressure loss, high sensitivity at initial flow
- Special glass with high resistance to pressure and impact
- Electrostatic painted body made of corrosion resistant brass
- Protection against external magnetic fields
- Available for optical reading
- Wiper on the glass is optional
- Vacuumed mechanism
- Pulse output and AMR reading features are optional
- Stainless steel register cup is optional
- Suitable for hot water up to 90°C • 3 years of warranty
- Almost no maintenance • 360° rotating lid
- Service and spare parts available for 10 years



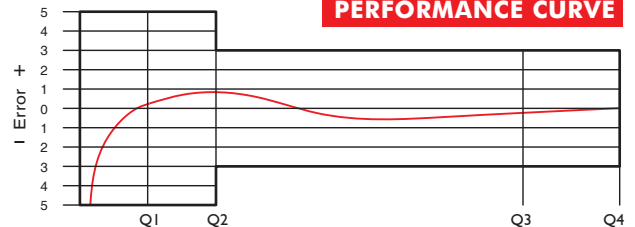
PERFORMANCE DATA

Overload Flowrate	Q4	m ³ /h	7.875		
Permanent Flowrate	Q3	m ³ /h	6.3		
Transitional Flowrate	Q2	m ³ /h	0.1008	0.0806	0.0630
Minimum Flowrate	Q1	m ³ /h	0.0630	0.0504	0.0394
Q3/Q1 (MI-001 OIML R49)	-		100	125	160
Mounting on the network	-		H		
Maximum Registration Capacity	m ³		9999 / 99999 / 99999,99 / 99999,999		
Initial Flow	Qi	l/h	18		
Maximum Working Pressure	bar		16		
Maximum Working Temperature	°C		90		
Pressure Loss	bar		Max. 0,6		
Smallest Reading Resolution	m ³		0.00005		
Class	-		Class 1 / Class 2		
Quantity per package	-		10		

PRESSURE LOSS CURVE

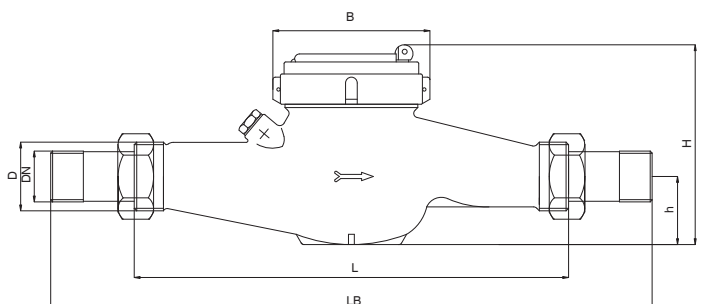


PERFORMANCE CURVE



DIMENSIONS

Nominal diameter	DN	25	mm
Connecting diameter	D	G1 1/4	B
Total overall meter height	H	124	mm
Axis height	h	43,5	mm
Width	B	94	mm
Length	L	260	mm
Length with connections	LB	380	mm
Unit weight		1.92	kg
Package Weight (without connect)		20.20	kg
Package Weight (with connect)		24.60	kg
Package dimensions		26.5x52x30	cm



"Due to continuous development of our products, we reserve the right to modify our product design or construction without prior notice."